



A review of recent advances in metaheuristic maximum power point tracking algorithms for solar photovoltaic systems under the partial-shading conditions

T. Sutikno ^{1,*}, A. Pamungkas ², G.Pau ³, A. Yudhana ¹, M. Facta ⁴

¹ Department of Electrical Engineering, Universitas Ahmad Dahlan, Yogyakarta, Indonesia

² Embedded System and Power Electronics Research Group, Yogyakarta, Indonesia

³ Faculty of Engineering and Architecture, Kore University of Enna, Enna, Italy

⁴ Department of Electrical Engineering, Faculty of Engineering, Universitas Diponegoro, Semarang, Indonesia

Correspondence: E-mail: tole@ee.uad.ac.id

ABSTRACT

Several maximum power point (MPP) tracking algorithms for solar power or photovoltaic (PV) systems concerning partial-shading conditions have been studied and reviewed using conventional or advanced methods. The standard MPPT algorithms for partial-shading conditions are: (i) conventional; (ii) mathematics-based; (iii) artificial intelligence; (iv) metaheuristic. The main problems of the conventional methods are poor power harvesting and low efficiency due to many local maximum appearances and difficulty in determining the global maximum tracking. This paper presents MPPT algorithms for partial-shading conditions, mainly metaheuristics algorithms. Firstly, the four classification algorithms will be reviewed. Secondly, an in-depth review of the metaheuristic algorithms is presented. Remarkably, 40 metaheuristic algorithms are classified into four classes for a more detailed discussion; physics-based, biology-based, sociology-based, and human behavior-based are presented and evaluated comprehensively. Furthermore, the performance comparison of the 40 metaheuristic algorithms in terms of complexity level, converter type, sensor requirement, steady-state oscillation, tracking capability, cost, and grid connection are synthesized. Generally, readers can choose the most appropriate algorithms according to application necessities and system conditions. This study can be considered a valuable reference for in-depth works on current related issues.

ARTICLE INFO

Article History:

Submitted/Received 28 Nov 2021

First revised 04 Jan 2022

Accepted 23 Mar 2022

First available online 25 Mar 2022

Publication date 01 Apr 2022

Keyword:

Metaheuristic algorithms,
MPP tracking,
Partial-shading condition,
Power harvesting,
Solar photovoltaic.

1. INTRODUCTION

The increase in environmental pollution, global warming, and scarcity of energy resources have increased studies on renewable power. Solar photovoltaic (PV) energy is one of the vital renewable energies obtained free and cannot be exhausted. It is also called the most auspicious new energy in technology, in contrast to conservative non-renewable bases such as fossil, petroleum, natural gas, and coal. One of the widely established renewable energy technologies utilizing solar is the photovoltaic (PV) system; therefore, several studies need to be conducted (Aziz, 2019; Bialasiewicz, 2008; Irawan et al., 2021; Perdiansyah et al., 2021; So et al., 2007).

Currently, PV technology (Ahmad et al., 2022) is indispensable and used as a source of electricity to supply demands. Therefore, it is crucial to increase the tracking maximum power point (MPP) and drag the highest power available from the PV panel without being affected by changes in light during the day. However, the power output generated is drastically reduced because of the partial-shading condition (PSC), decreasing power efficiency, and increasing configuration complexity. Under normal conditions, the PV performs significantly, with the proper functioning of almost all MPPT algorithms. However, this performance decreases per the Partial-shading condition (Bayrak et al., 2017).

The technique for making effective use of PV is comprehended as a maximum power point (MPP) tracking or maximum power point tracking (MPPT). This method drags the highest energy available by operating at the most efficient output. MPPT is a solution to escalate the productivity of electric power with the DC-DC converter circuit and control algorithm as its main parts. According to various studies, this system consists of different algorithms, such as incremental conductance (INC), fuzzy logic controller (FLC), artificial neural network (ANN),

perturb-and-observe (P&O), grey wolf optimizer (GWO), firefly algorithm, ant colony optimization (ACO), and artificial bee colony (Dorigo & Birattari, 2006; Mirjalili et al., 2014; Safarudin et al., 2015; Soulatiantork et al., 2018). MPPT is used in PV systems to maximize tracking and for continuous tracking. Meanwhile, maximum power point (MPP) is easily tracked when irradiance is constant, although this process tends to often experience perturbations due to PSC (Ishaque & Salam, 2013).

Partial-shading dramatically disturbs the power harvesting generated by the solar PV system; therefore, one problem needs to be resolved to maximize the MPPT performance. Another related problem is the strategy used to maximize the extraction generated in changing weather conditions.

Several preliminary studies focused on maximizing the energy generated by PV systems by improving MPPT performance to promote the effectiveness and efficiency generated by partial-shading (Qian, 2018). According to (Boussaïd et al., 2013), metaheuristics is a widely recognized approach to MPPT performance optimization. Therefore, in this research, 40 MPPT algorithms were discussed comprehensively and thoroughly by dividing the metaheuristic algorithms into four classes based on: physics, biology, sociology, and human behaviors.

2. METHODS

Solar PV panels are usually coupled in parallel or series in large PV systems or micro-networks to escalate the voltage and power output. Furthermore, solar radiates on the large external area of the PV module; it is not evenly operated under partial-shading conditions (PSC), thereby making it difficult to optimize the power in the PV system.

2.1. PV Normal Conditions

Figure 1 shows a PV module, where **Figure 1(a)** shows a PV system with normal conditions where all modules are evenly exposed to solar radiation. At the same time, **Figure 1(b)** shows the condition of the PV module in partial shading. However, the blockage of this module by partial shading leads to complete exposure to solar radiation; hence, the power generated becomes non-optimal. **Figure 1** describes the PV module under normal conditions and when covered by cloud shadows. PV system yields are directly affected by solar radiation and temperature; therefore, it is necessary to use an updated value of these factors to maximize power. The figure further shows that the output is directly affected by solar radiation and temperature.

2.2 PV Partial Shading Conditions

In situations whereby trees, clouds, and buildings overshadow the entire or parts of the outdoor PV system, a condition known as non-uniform insolation materializes. The module's part that receives radiation continues to operate at an optimal and efficient rate in partial-shading conditions (PSC) (Mirjalili *et al.*, 2014). Therefore, a strategy is needed to detect and track the MPP and overcome high, medium, and low voltage errors due to PSC.

In invariant circumstances, the P-V curve of the module is unimodal, which means it has only one peak. However, under partial shading, where the solar radiation is not evenly distributed, each module receives different sun rays due to shadows of buildings, trees, clouds, birds, and dirt.

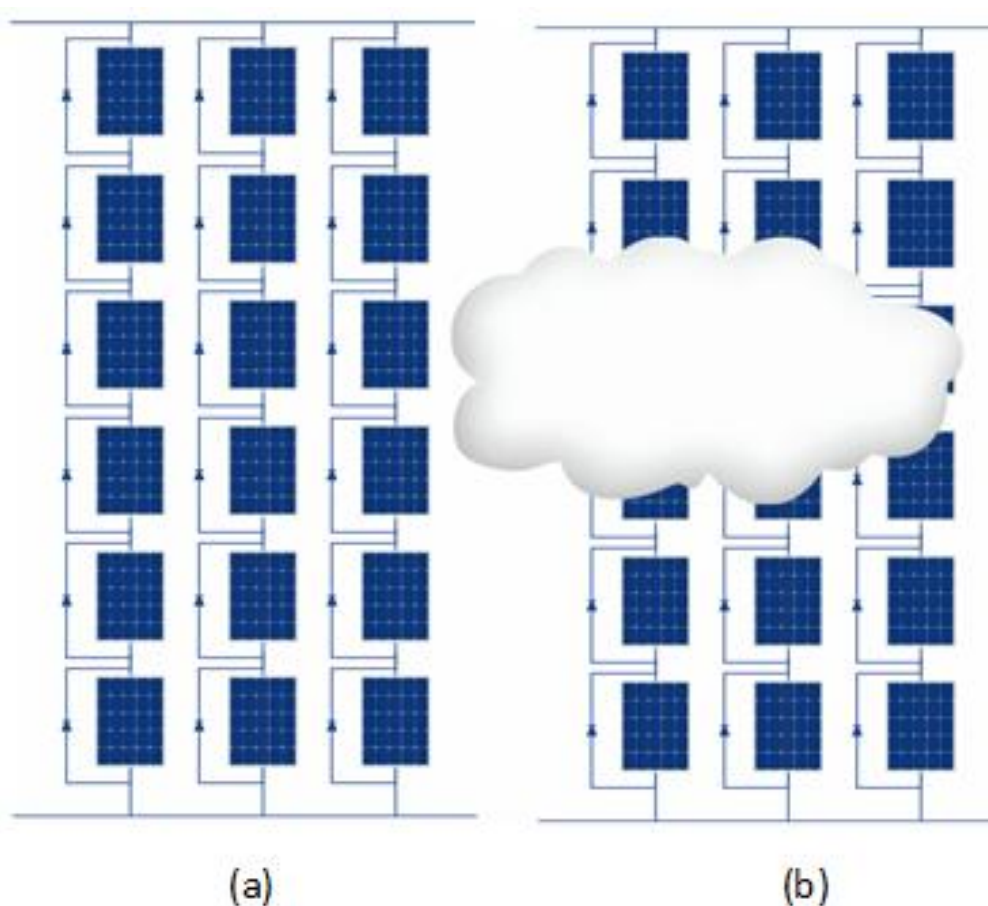


Figure 1. PV module under (a) Photovoltaic normal condition and (b) Partial-shading condition.

2.3 MPPT Control Strategy

The MPPT management strategy is utilized to determine the maximum power of the PV collection more closely and effectively, as depicted in **Figure 2**. The power delivered from the PV is intermittent in the tracking process due to sudden changes in conditions of irradiation and temperature. The DC-DC converter and MPPT connect the PV array's power to the load. Furthermore, the DC-DC converter works by varying the changing load conditions and the output source to obtain the peak power point until the maximum amount is obtained. The primary purpose of MPPT systems is to track the maximum power of the PV panel. Meanwhile, the MPP deals with many changeable temperatures and solar radiation. Therefore, the MPPT technique is needed to dynamically set the MPP like an operating point for a vast range of inputs (solar radiation and temperature) (Haji & Genc, 2018).

MPPT allows the modules to generate high power without following any specific tracking algorithm. Its algorithms are mainly used to get highly optimized power from the solar array based on different temperature and irradiation values. Due to fluctuations in solar irradiance, temperature values of the cell, and maximum power changes repeatedly, MPP means the voltage at which the PV array produces maximum power.

2.4. Algorithm of MPPT PV System

Several preliminary studies investigated the algorithms used for MPPT on PV systems, such as the conventional, mathematical, artificial intelligence, and metaheuristic algorithms. Three adopted orthodox strategies of the MPPT are P&O, hill climbing (HC), and INC. This section discusses the algorithm used in the MPPT system to follow the highest power point generated by PV.

The use of algorithms for the MPPT PV system is supported by tracking speed, complexity, control parameters, converters used, tracking ability, and efficiency. Many algorithms are used for the MPPT system, P&O conventional algorithm, HC and INC (da Rocha et al., 2020). The conventional algorithms are utilized in the MPPT system because the control structure is several, and straightforward measurable parameters do not depend on the characteristics of the PV module. However, some disadvantages are associated with the conventional algorithms, namely an increase in perturbation due to the rise in power. In addition, immediately after the PV cell power reaches its peak, the power tends to decrease, leading to a significant increase in perturbation. It also becomes challenging to offer exemplary performance in a steady and dynamic condition due to a steady, gradual step with a work process used as a management parameter and the inability to determine GMPP in MPP. Metaheuristic procedures are used for MPPT PV plans with many types of approaches. This type of algorithm is becoming attention increasingly in industrial appliances because they:

1. trust on easy-to-implement and straightforward concepts;
2. do not require gradient information;
3. can avoid the local optima;
4. are capable of a variety of glitches spanning multidiscipline.

Nature-inspired metaheuristic approaches are for solving problems in optimization by imitating physical or biological phenomena. It is categorized into three approaches, scilicet physics-based, evolution-based, and swarm-based methods, as shown in **Figure 3**. Algorithms with an evolution-based approach include (Choi et al., 2015). Furthermore, examples of physics-based algorithms include (Ahmadi & Abdi, 2016; Bandyopadhyay et al., 2008; Du

et al., 2006; Dutta *et al.*, 2015; Farahmandian & Hatamlou, 2015; Farrahi-Moghaddam *et al.*, 2007; Ji *et al.*, 2017; Kaveh & Khayatazad, 2012; Kumar *et al.*, 2016a; Pillai & Rajasekar, 2018; Sabri *et al.*, 2013; Sardari &

Moghaddam, 2016). Then with a swarm-based approach (Chen *et al.*, 2018; Hemalatha *et al.*, 2016; Ituarte-Villarreal *et al.*, 2012; Kang *et al.*, 2018; Tirkolae *et al.*, 2020; Titri *et al.*, 2017; Wang *et al.*, 2018).

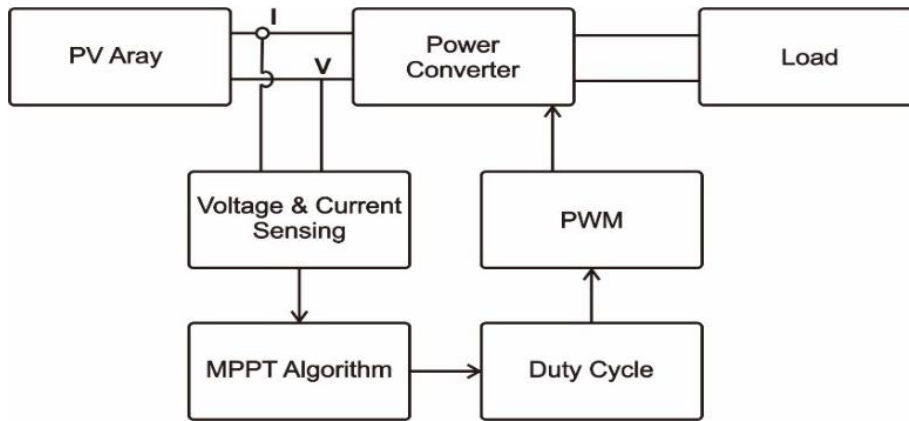


Figure 2. MPPT control strategy.

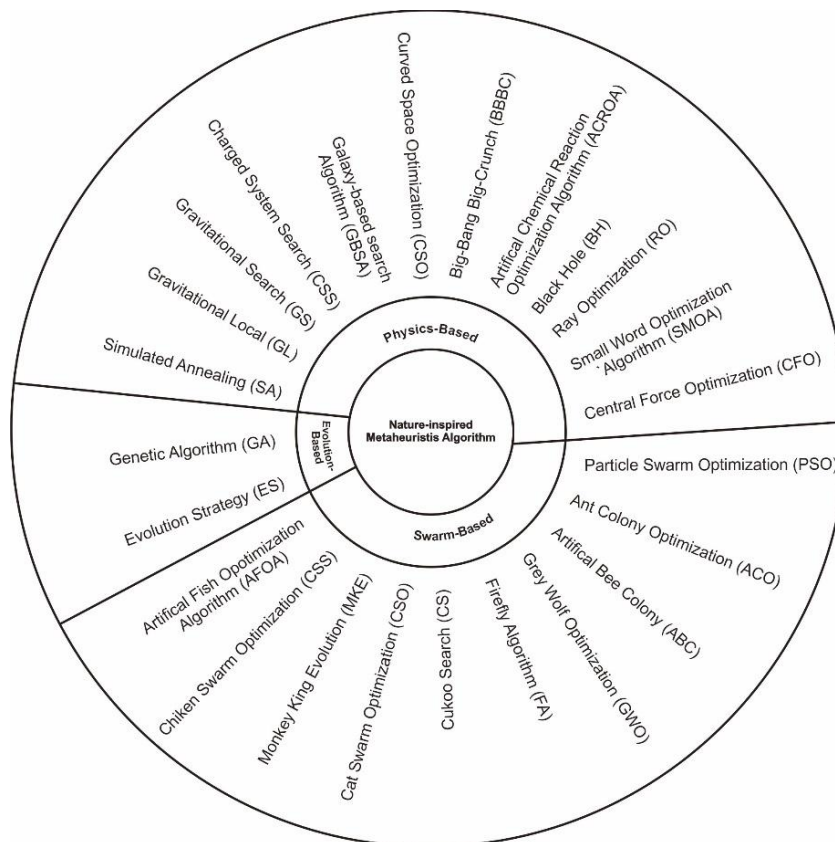


Figure 3. Nature-inspired metaheuristic algorithms.

2.5. Algorithm of MPPT PV System PSC

Practically, there are problems associated with the PV system during partial shading situations. Therefore, different procedures are used to overcome the partial shading, such as conventional, mathematics-based, artificial, and metaheuristic algorithms, as shown in **Figure 4**. Furthermore, several steps are taken to choose the most suitable algorithm for dealing with partial shading conditions, such as describing it based on type and characteristics.

The approach used to discuss the MPPT is classified into four groups by the algorithm used. The first and most popular technique is the conventional method based on specific statements by employing a management indication to a power converter. This method uses various direct control systems such as P&O, HC, and INC (Kandemir et al., 2017; Rezk et al., 2017; Yang et al., 2020). The second set is mathematical-based algorithms, by applying direct search techniques with fast search speeds. The algorithms in this second group include the Beta, the chaotic, and Fibonacci searches. The third group involves newer techniques based on a soft computing approach using

PSO, FLC, ANN, and Bayesian Network algorithms. Soft computing techniques deal with imprecise representatives to deliver optimal resolutions for complicated issues.

2.5.1 Conventional algorithms

Finally, the fourth group uses an algorithm with a metaheuristic approach inspired by biological, physical, sociological, and human behavior phenomena. This algorithm has been primarily utilized in current years to design MPPT regulators or other renewable liveliness areas.

2.5.1.1 Perturb and observe algorithm (P&O)

Shifting or perturbing the operating point of solar PV based on the last increment sign of PV power is the crucial idea of the P&O algorithm. A growth or reduction in the PV power leads to a rise or decrease in the same or contrary direction perturbation, respectively. The standard P&O is one of the great commonly used algorithms for tracking the MPPT of a solar PV system due to its simple implementation and the speed and accuracy of its responses.

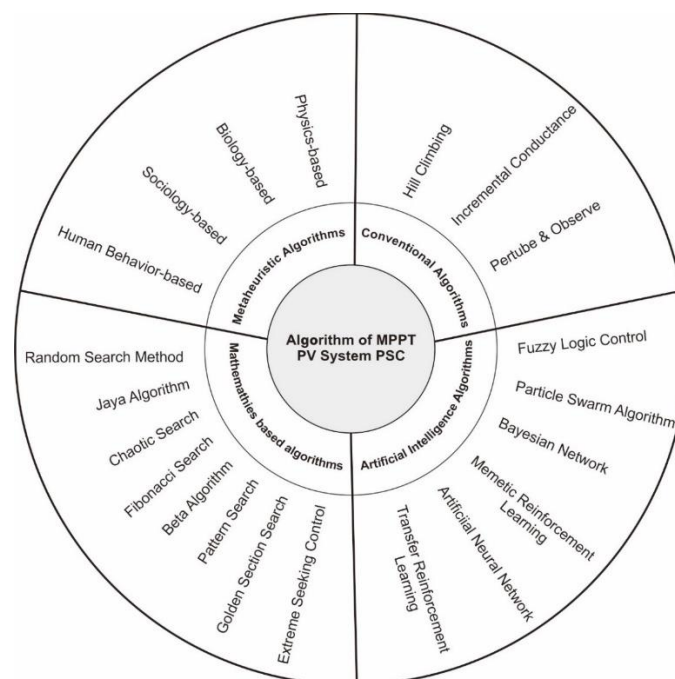


Figure 4. Algorithm of MPPT PV system PSC.

This technique is a recurrent approach, where an operational point of the solar PV swings proximate to the MPP. The principle is that the photovoltaic system's output voltages are interrupted, with changes in system power before and after the perturbation are assessed, and the system is controlled according to the principle of increasing the output power (Alik & Jusoh, 2018).

The control structure of the algorithm is simple, requires less measured parameters, does not depend on the module characteristics, and is handily applied to all PV panels. The drawbacks of this algorithm are:

1. the perturbation increases along with the power;
2. if the PV cell spans its peak, the power tends to drop;
3. the perturbation becomes more significant with steady-state oscillations at considerable voltage variation.

2.5.1.2 Hill climbing (HC)

Hill climbing is a conventional algorithm that produces a change in power by applying a specific perturbation and confirming to the controller the following action through detection. Perturbation is a duty cycle. Therefore, when the power increases after application, the control changes in its original direction with a rise in power. Meanwhile, the perturbation is controlled in the reverse track until the change is within a threshold when the power is reduced. The main problem of the algorithm is that it solely moves slope, and the derived solution quality needs to be greater than the parent as (1). Hence, it converges rapidly to local optimal is not the desired output in most matters (Burke & Bykov, 2017; Abed-alguni & Alkhateeb, 2020).

$$D(k) = D(k - 1) \pm a \times Slope \quad (1)$$

2.5.1.3 Incremental conductance (INC)

The INC MPPT algorithm is the most common method because it can carry out appropriate control under quickly altering atmospheric states without steady-state fluctuations. The method considers the reality that the pitch of the PV power value is positive/negative on the left/right of the MPP, respectively, and zero at the MPP. The algorithm is implemented as a replacement for the P&O algorithm because of its consistent performance in rapidly changing weather conditions. Furthermore, a new algorithm was introduced to provide fast-tracking of the MPP.

2.5.2 Mathematics-based Algorithms

2.5.2.1 Beta algorithm

The main advantages of the beta algorithm are (i) easy implementation, (ii) steady-state sans fluctuation, and (iii) high tracking speed. Therefore, to improve the precision and reach zero fluctuations under steady-state conditions, an enhanced beta procedure (2) is created to get the GMPP position beneath PSC.

$$\beta = \ln\left(\frac{i_{pv}}{v_{pv}}\right) - C \times v_{pv} \quad (2)$$

2.5.2.2 Chaotic search

Chaos is a general nonlinear phenomenon with complex, random, and inherent behavior. Due to ergodicity, the chaos variable is used to carry out an optimal search, which is superior to a blindfolded random search. The essential features of chaos search are regularity, ergodicity, sensitivity, and randomness (Zhou *et al.*, 2011). The chaos word is defined as the randomness of the responsive nature of the system for a slight change in initial conditions. Therefore, this predefined attribute is applied for the MPPT optimization in the photovoltaic generation system (PGS).

2.5.2.3 Fibonacci search

The Fibonacci search technique is used to sort an array using the conquer and divide algorithm that narrows down appropriate positions with the help of Fibonacci numbers. It continuously determines the optimal point by narrowing the range (Ramaprabha et al., 2012). This method is based on search area reduction in each iteration with the complete search area and two middle points initially assigned using the Fibonacci search (Pati & Sahoo, 2016).

2.5.2.4 Random search method

RSM is a straight search, accessible ramp method first proposed by Anderson and associated with the fundamental mathematical analysis developed by Rastrigin. RSM selects a random value within the specified limits to analyze global optimizations. In the MPPT method, the generated random value is the duty cycle value, updated until the MPP is reached (Ram et al., 2017).

2.5.2.5 Pattern search

The pattern search algorithm is a straightforward search approach that uses a mesh to compute a series of iterations which continues to decrease the value of the objective function until convergence is achieved. It purposes to complete the optimization of the unconstrained non-linear problems and is also aimed as a general pattern search. This approach requires fewer voltage samples to identify global maxima (GM) under PSC, improving tracking capability and dynamic efficiency (Javed et al., 2016).

2.5.2.6 Golden section search (GSS)

The GSS technique is integrated into the proposed multi-stage MPPT as a straightforward variable step size that optimizes the algorithm. It provides an initial bracketing interval in which the MPP is located with the GSS algorithm converging to

the MPP by repeatedly narrowing the width of the interval with the rate of the golden ratio.

2.5.2.7 Extreme seeking control

The SMESC develops from the combination of SMC and ESC, which further improve the output response of WECS. Compared with ESC, the SMESC method not only enhances the robustness of MPPT but also enhances the efficiency of WECS (Hu et al., 2019).

2.5.2.8 Jaya algorithm

Jaya was presented by Rao (2016). It is a new solution based on population to get prime solutions for unconstrained and constrained optimization cases. Dissimilar to other heuristic algorithms based on population, Jaya has no exact controlling parameter and involves only the candidate solutions (namely, the population dimension (m)) and the total iterations (number of generations (Gn)). The optimization procedure of this method is idea-based elicited, and the established solution for a typical case has to move toward the best solution to avoid the inferior. The Jaya algorithm is one of the modest optimization techniques due to having only one phase.

2.5.3 Artificial intelligence algorithms

2.5.3.1 Fuzzy logic control (FLC)

FLC falls into the usually employed methods in many engineering tasks. It has an easy and straightforward methodology because technical quantities and proper mathematical modeling of a plan are not essential for this approach (Seyedmahmoudian et al., 2016).

2.5.3.2 Particle swarm optimization (PSO)

PSO is an algorithm that works by adjusting the path by manipulating each coordinate. Some of the algorithm's success at real-number functions is because it "surpasses" known local optima, traveling further afield or between the two. However,

questions are asked to determine the meaning of trajectory, velocity, and intermediate concepts in discrete space.

$$\vec{v}_i(j+1) = w(j)\vec{v}_i(j) + \varphi_1(j)(\overrightarrow{pbest}_i(j) - \vec{x}_i(j)) + \varphi_2(j)(\overrightarrow{gbest}_i(j) - \vec{x}_i(j)) \quad (3)$$

$$\varphi_1(j) = c_1r_1(j), \varphi_2(j) = c_2r_2(j) \quad (4)$$

$$\vec{x}_i(j+1) = \vec{x}_i(j) + \vec{v}_i(j+1) \quad (5)$$

2.5.3.3 Bayesian network

A Bayesian network is an approach of a combined probability distribution modeling of numerous random parameters and a powerful instrument for information fusion (Keyrouz, 2018).

2.5.3.4 Artificial neural network (ANN)

ANN is a parallel and distributed processing system consisting of many simple and massively connected elements called neurons. The multilayer perceptron architecture is the most commonly used paradigm of ANNs (Punitha et al., 2013).

2.5.3.5 Memetic reinforcement learning

Memetic computing is a broad topic that examines complicated configurations arranged of interactive memes, which efficiently accomplish a precise optimization via uninterrupted evolutions and exchanges (Zhang et al., 2019).

2.5.3.6 Transfer reinforcement learning (TRL)

Compared with the other meta-heuristic procedures, TRL is capable of knowledge transfer and online learning. This system can transport positive information from previous optimization duties, thereby maximizing the matrices of the new optimization duty and efficiently harvesting an optimum of high quality. Furthermore, TRL continually discovers further information from environmental connections, which quickly acclimate to MPPT beneath different temperatures, solar irradiation, and PSC.

2.5.3.7 Metaheuristic algorithms

Metaheuristic approaches are characterized by nature (based on some philosophies from biology, physics, or ethology). Stochastic factors relating to random variables do not use the ramp or Hessian matrix of the objective function and have several limitations that need to be adjusted to the existing problem. The optimizer needs to include an operator to discover the investigation area globally in this stage, where activities, such as design variable perturbations, need to be randomized.

The utilization step pursues the exploration one, and it is described as the procedure of analyzing a promising area in the investigation area. Exploitation relates to local examination capabilities in promising space design areas discovered in the exploration phase. However, one of the most challenging tasks is determining the right balance between exploration and exploitation in metaheuristic algorithm development due to the stochastic essence of the optimization stage.

Numerous surveys on metaheuristics have been proposed over time, although none covers all aspects. For example, much research focuses on one side of metaheuristics, especially biology or nature, without discussing more variants. Metaheuristic algorithms offer suitable algorithm structures and metaheuristic capabilities (Elshaer & Awad, 2020): such as (1) Depend on easy-to-apply and straightforward concepts, (2) Do not demand gradient data, (3) Can pass local optimum, and (4) used in a variety of problems spanning various disciplines.

Furthermore, they offered suitable algorithm structures applied to various optimization problems with only minor modifications suitable for a given problem. The metaheuristic algorithm successfully solves a specified optimization problem,

assuming it can provide a proportion between diversification (exploration) and intensification (exploitation). Exploitation is needed to find the part of the intensification space with superior solutions. Increasing the search in several capable areas is essential, including the gathered historical values. The critical difference between the current metaheuristics is related to the strategies used to achieve this balance.

Furthermore, judging the best ranking among the existing algorithms is not easy. Therefore, based on the indicators and parameters measured, by making a fair comparison, it was concluded that the metaheuristic algorithm has a better capability than others based on the measured parameters. The following section comprehensively discusses 40 metaheuristic algorithms grouped into four categories in the situation of partial shading.

3. RESULTS AND DISCUSSION

3.1. Metaheuristic MPPT algorithms for partial shading

This section aims to cover all relevant metaheuristic aspects to help new authors briefly overview all existing taxonomies and variants. Furthermore, several metaheuristics are widely used for partial shading conditions and classified into four groups, as shown in **Figure 5**. The metaheuristic algorithm relies on an easy-to-implement and straightforward concept, which does not require gradient information, can pass local optima, and is used to solve various problems spanning multiple disciplines (Mirjalili & Lewis, 2016). Metaheuristics are broadly known as a practical approach to various complex optimization problems. The algorithm is divided into four main parts, namely biology-based, physics-based, sociology-based, and human behaviors.

Furthermore, this approach is used to accomplish the partial shading thing experienced by the PV system on the MPPT.

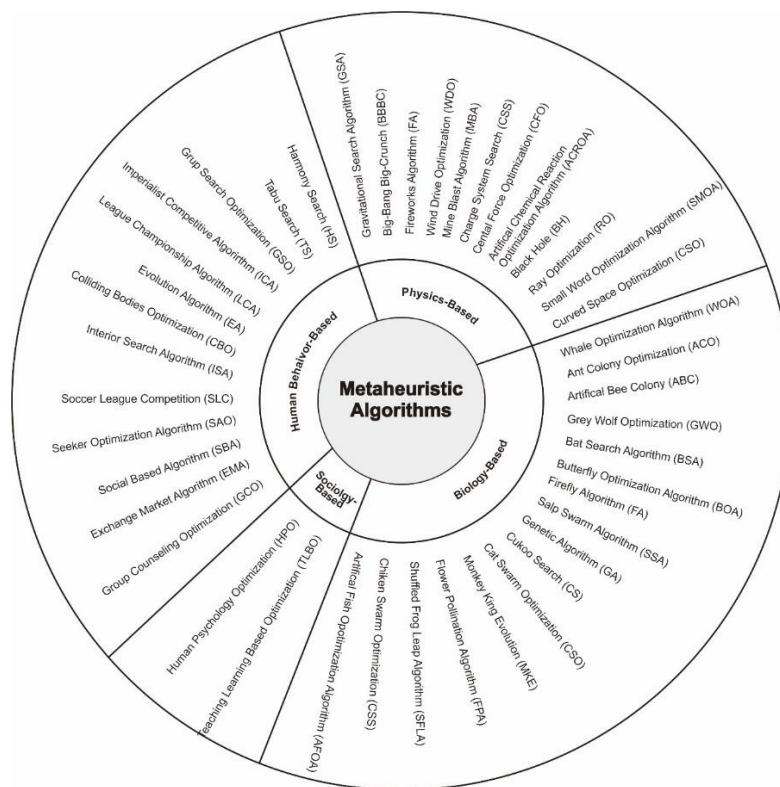


Figure 5. Taxonomy algorithm metaheuristic.

3.1.1 Biology-based algorithms

3.1.1.1 Genetic Algorithm (GA)

GA is a meta-heuristic method used to determine the right solution based on the biological behavior evolution (Seyedmahmoudian *et al.*, 2016). This technique is used to determine the survival of fittest-based optimum set parameters (Caraka *et al.*, 2021). It is an adaptive meta-heuristic search method that comprises the creation, methodical evaluation, and improvement of possible design solutions until the termination criteria are fulfilled (Shaiek *et al.*, 2013).

3.1.1.2 Artificial bee colony (ABC)

ABC approach is a bio-inspired optimization technique developed for nonlinear optimization problems, numerical functions, and classic optimization constraints (Karaboga & Basturk, 2007a). It comprises numerous features that cause it to be further attractive than other bio-inspired algorithms. Furthermore, this algorithm uses fewer control variables and convergence negligible of the initial states. The algorithm makes it possible to resolve the common disadvantages of the traditional MPPT technique. Instead, it also provides a robust and straightforward MPPT procedure. The co-simulation process combines Matlab/SimulinkTM and Cadence/PspiceTM to confirm the usefulness of the suggested procedure and resemble its performance, in weather situations, with the MPPT algorithm based on PSO is conducted in (Benyoucef *et al.*, 2015).

3.1.1.3 Ant colony optimization (ACO)

ACO is included in a meta-heuristic class inspired by a biological approach. It is a probabilistic technique used to determine the universal optimal solutions to nonlinear problems. ACO imitates the hunting behavior of ants to reach path optimization in the grid. Furthermore, the communal behavior of ants

in huge numbers forms the feedback phenomenon, in which the ants initially look for a random path and place pheromones for others to follow (Dorigo & Birattari, 2006).

3.1.1.4 Grey wolf optimization (GWO)

The GWO algorithm is a highly inspired metaheuristic approach that optimizes the offensive techniques used by the grey wolf when pursuing. This method is proficient in duplicating the hierarchical order of leadership and the grey wolf's pursuing abilities. There are mainly four types of grey wolf used to simulate leadership hierarchies, namely properly: (i) alpha (α), (ii) beta (β), (iii) delta (δ), and (iv) omega (ω). In the scientific instance of this bio-inspired algorithm, the most relevant result is α . Furthermore, β and δ are devised as the second and third best solutions, while ω represents other candidates. There usually are three steps for GWO: hunting, chasing, and tracking the target by establishing groups, which is surrounded, and finally attacking the target. This whole pursuing mechanism was applied when designing the GWO to execute optimization issues in the MPPT for the PV Module. The grey wolf hunting method is guided by the α clan known as a leader, trailed by the β clan. The critical task of δ and ω is to guard all the injured wolves (Mirjalili *et al.*, 2014; Mohanty *et al.*, 2015). The following equations are used to model the strategies used by the grey wolf to surround the prey during hunting and siege behavior.

$$\vec{D} = |\vec{C} \cdot \vec{X}_p(t) - \vec{X}_p(t)| \quad (7)$$

$$\vec{X}(t+1) = \vec{X}_p(t) - \vec{A} \cdot \vec{D} \quad (8)$$

where t represents the present iteration, D , A , and C are the coefficient vectors, X_p is the location vector of the target, and X presents the location vector of the grey wolf. D and C Vectors are calculated as follows.

$$\vec{D} = 2\vec{a} \cdot \vec{r}_1 - \vec{a} \quad (9)$$

$$\vec{C} = 2 \cdot \vec{r}_2 \quad (10)$$

3.1.1.5 Bat search algorithm (BSA)

Echolocation behavior is based on the nature of the bats at the nutrition site. It locates the movement and soundness of the retrieval signal-based target. In particular, the literature designed an MPPT technique using BSA to accurately determine GMPP for all P-V features based on local and global searches. Furthermore, this method was more additional than 99.9% in most problems.

3.1.1.6 Butterfly optimization algorithm (BOA)

In the research carried out by (Arora & Singh, 2019), a new optimization technique was proposed, which imitates the foraging behavior of butterflies. The two critical variables of the method are mate and food locations. There are three key behaviors of butterflies in this approach, namely: (i) one butterfly must be able to pull others by its aroma; (ii) the butterfly changes its place randomly or towards the one with the most pungent smell, and (iii) the prospect of the objective function assigns the strength of the butterfly stimulus (Aygül et al., 2019).

3.1.1.7 Whale optimization algorithm (WOA)

The proposed WOA algorithm effectively tracks GMPP with high precision and less time under dynamic PSC. Therefore, based /on the results, the algorithm is excellent in precise and time tracking compared to the MPPT GWO and PSO algorithms. Furthermore, due to the stochastic nature of the WOA, GWO, and PSO methods, simulations (Kumar & Rao, 2016) were performed for 50 experiments and statistical results. The result showed that the proposed standard deviation (SD) is smaller than other methods, indicating that WOA can effectively track GMPP. However, the SD of PSO is excellent because the maximum value is stuck to the local. Based on the results and statistical analysis, the MPPT WOA algorithm

proves its superiority through GWO and PSO MPPTs (Kumar & Rao, 2016). A study carried out by Mirjalili & Lewis (2016) stated that the WOA uses three simulation operators of humpback whales, namely prey search, prey siege, and foraging behavior. A comprehensive study was carried out on 29 mathematical benchmarks to investigate the algorithms' exploitation, exploration, local optima prevention, and convergence behavior (Mirjalili & Lewis, 2016). The result proved that WOA is competitive with other metaheuristic methods.

3.1.1.8 Firefly algorithm (FA)

An algorithm using the tracking principle of fireflies was developed and introduced. This algorithm has three basic assumptions. Firstly, all fireflies are unisex and overlook progress towards a brighter and better stunning one until they have all been compared. Secondly, the firefly's attractiveness is related to its brightness, which depends on the distance between itself and other flies. However, due to the saturation of light in the air, its comeliness decreases with increasing distance. Finally, the light or brightness intensity of a firefly is decided by the objective procedure value of the given problem. The following three equations mathematically express the FA algorithm.

$$\beta(r) = \beta_0 \exp(-\gamma r^m), m \geq 1, \quad (11)$$

$$r_{ij} = \|x_i - x_j\| = \sqrt{\sum_{k=1}^d (x_{i,k} - x_{j,k})^2} \quad (12)$$

3.1.1.9. Particle swarm optimization (PSO)

PSO is a cluster intelligence approach commonly applied to increase widespread numerical optimization problems in current years due to its effectiveness and efficiency in dealing with science and engineering challenges. The PSO is unsystematically initialized population-based and used to determine the best generational updates like a genetic algorithm. Meanwhile, the objects in a genetic algorithm are called "individuals"

or "particles" in PSO, with each moving at a particular speed. The rapidity vector assigns drive to a particle, with a distinct quantity corrected by the manners of two parameters, namely cognitive behavior (memory) and current social behavior (perception). With sufficient time (iteration), the particles are expected to gather in a place that optimally suits their needs. The behavior mentioned above, fundamental to PSO, is formulated as follows (Tsai & Lin, 2011):

$$v_i^{t+1} = v_i^t + \alpha \varepsilon_1 [pbest_i^t - x_i^t] + \alpha \varepsilon_2 [gbest^t - x_i^t] \quad (13)$$

$$x_i^{t+1} = x_i^t + v_i^{t+1} \quad (14)$$

3.1.1.10 Salp swarm algorithm (SSA)

The Salp algorithm is a barrel-shaped Salp that belongs to the Salpidae family and has a transparent body. The salp tissue's movement is similar to a jellyfish that moves onward by propelling water throughout the body. In the oceans, salps form swarms called salp chains, and this algorithm is used to determine its global optima. In the salp chain instance, the chief is followed by the subordinate searching for food. The food source is likened to GMPP, which is chased by the salp chain (Krishnan & Sathiyasekar, 2020).

3.1.1.11 Shuffled frog leap algorithm (SFLA)

SFLA is the personification of the memetic method and the PSO procedure. The population contains a set of results known as frogs in the method. Meanwhile, the solution subset is called a memplex, with each used to perform a local search in the search space. Ideas are communicated between the shuffled memplexes through the memetic of the evolution process. Furthermore, the shuffle process and local search stay until optimal convergence (Sridhar *et al.*, 2016).

3.1.1.12 Artificial fish swarm algorithm (AFSA)

AFSA is a new swarm modeling technique consisting mainly of seeking, swarming, and following a behavior (Tsai & Lin, 2011). An improved AFSA was current, and it combines the capabilities of the PSO algorithm search system.

3.1.1.13 Chicken swarm optimization (CSO)

CSO is a bio-inspired robust and accurate algorithm that extracts chicken swarm intelligence to solve high-dimensional problems. This CSO is an algorithm that replicates the hierarchy and behavior of the chicken with the swarm approach used when tracking (Meng *et al.*, 2014).

3.1.1.14 Flower pollination algorithm (FPA)

The FPA was broadly used in numerous contexts and has indicated its distinction from PSO and GA (Yousri *et al.*, 2019). Simulation results from previous studies have shown that the FPA approach is advantageous and can outperform both genetic algorithm and particle swarm optimization.

3.1.1.15 Monkey king evolution

This algorithm is elucidated by the superpower of the monkey king, a supreme symbol of a well-known Chinese mythological best-seller whose names are "Journey to the West." The superpower of the monkey king arises in a challenging case, and it can convert into several small monkeys. The latter researches the solution and reports to the monkey king. After acquiring all feedback, the monkey king establishes the global best (i.e., the most appropriate solution) and then takes action and drives forward with all small monkeys (Kumar *et al.*, 2016a).

3.1.1.16 Cat swarm optimization

This approach models the behavior of a cat at rest. It keeps alert while trying to seek a better position. After carefully observing its neighborhood circumstances, it moves slowly to a new position (Guo et al., 2018).

3.1.1.17 Cuckoo search (CS)

The CS method is one of the meta-heuristics based on population. It emulates both the breeding conduct of some cuckoos and the Lévy flight manners of some bird species to overwhelm both continuous and discrete optimization issues (Abed-alguni & Alkhateeb, 2020).

3.1.2 Physics-based algorithms

3.1.2.1 Gravitational search algorithm (GSA)

GSA is one of the intelligent meta-heuristic methods based on Newton's law of gravity to overcome optimization-related problems. Its global search capabilities have several advantages over other clever solutions such as PSO. However, some disadvantages are associated with using GSA, such as inadequate local investigation capacities and weak acceleration mechanisms (Li & Zhou, 2011).

The basic principle of the gravitational examination method is associated with the solutions to the optimization problem, which is regarded as a group of particles running in space. According to the law of gravity, particles are involved with each other by gravity. Therefore, the more extensive the mass, the greater the gravitational force on the other particles. The optimization problems associated with particles are obtained by determining the optimal position when other particles change towards the one with the highest mass (Li et al., 2018).

3.1.2.2 Fireworks algorithm

The Firework algorithm belonging to the meta-heuristic algorithm category. It is an

effective universal optimization method based on the intelligent behavior of swarms. Several diode model fireworks for PV modeling of MPP particle based on tracking algorithm are produced in the examination area with a stochastic burst procedure for a piece firework. After the detonation procedure is complete, the generated sparks of the fireworks fill the local space and represent latent explanations in the anticipated search space. The approach uses the detonation and Gaussian mutation sparks produced by the explosion and the Gaussian mutation operator to determine the global optimal in the problem space. The main characteristic of this approach is its capability to strike an equilibrium between probe and exploitation. Exploration refers to the capability of a technique to discover different areas of the seeking space to analyze promising results. Meanwhile, exploitation is characteristic of performing an in-depth search in a smaller area to find the best result. Furthermore, it is signed by a global investigation ability and an accurate local examination at the end. Gaussian transformation sparks are produced to improve local research capabilities and ensure swarm diversity.

3.1.2.3 Mine blast algorithm (MBA)

The idea of the MBA is based on the remark of a mine bomb bang, in which the terrifying sections of shrapnel collided and exploded others in the surrounding area. To recognize this state, consider a minefield where the purpose is to strengthen the mines by determining the one with the most significant combustive consequence found at the best point X^* , which is capable of causing most casualties (*min or max $f(x)$ per X^**) (Sadollah et al., 2012).

3.1.2.4 Wind driven optimization (WDO)

The main idea of WDO is to extract horizontal air movement known as the wind from the atmosphere. Usually, the air pressure and density depend on the

temperature relying on the air pressure. The air movement from high to low-pressure areas is known as a pressure gradient. In the WDO method, a population of air pieces is unsystematically dispensed through issue space within a certain velocity and position. The places of air properties are appraised based on the wind movement mathematical model per iteration. Such a model is Newton's second law-based, which states that the forces subjected to air mass urge it to hurry in the direction (Abdalla *et al.*, 2019).

3.1.2.5 Big-bang big-crunch

The method is similar to the GA regarding the random creation of an initial population known as the Big Bang phase, which is spread all over the search space in a uniform manner (Erol & Eksin, 2006).

3.1.2.6 Charge system search (CSS)

CSS is an efficient optimization algorithm created using Coulomb and motion laws governing physics and Newtonian mechanics (Kaveh & Talatahari, 2010).

3.1.2.7 Central force optimization (CFO)

CFO is an algorithm based on deterministic multi-dimensional search. In (Rashedi *et al.*, 2009) has been developed a model that probes the search space under the influence of gravity based on CFO.

3.1.2.8 Artificial chemical reaction optimization algorithm (ACRO)

ACRO algorithm is based on the chemical reaction process where molecules undergo a sequence of reactions with each other. Furthermore, the CRO has a good searching ability that shows an excellent operation of strengthening and divergence, two crucial characteristics of the evolutionary algorithm (Dutta *et al.*, 2015).

3.1.2.9 Black hole (BH)

The BH algorithm is a population-based method comprising some standard features. Like other population-based algorithms, a population of nominee resolutions to a specified issue is generated and spread unsystematically in the examination area, which evolves the created population towards the best solution (Hatamlou, 2013). In the BH, a randomly produced population of nominee solutions is located in the search space to determine the problem or function. After initializing the black hole, it starts absorbing the surrounding stars.

3.1.2.10 Ray optimization (RO)

Like other meta-heuristic methods, RO also has an agent number containing design problem variables. Although ray-tracing, as the primary basis of RO, has been addressed in two and three-dimensional spaces, it is necessary to introduce procedures to perform algorithmic steps in higher-dimensional spaces (Kaveh & Khayatizad, 2012).

3.1.2.11 Galaxy-based search algorithm (GbSA)

This metaheuristic and nature-inspired method are founded on an adjustable neighborhood examination technique. GbSA is based on a Spiral chaotic movement, which uses a spiral undertaking to determine the current best solution, which it uses to update the existing one (Kumar *et al.*, 2016b).

3.1.2.12 Curved space optimization (CSO)

CSO is a simple probabilistic optimization method strengthened by the concept of general relativity theory. This new method is designed based on the transformation of a random search space into a new search space and is used to overcome global optimization challenges such as performance and convergence using the general relativity theory.

3.1.3 Sociology-based algorithm

3.1.3.1 Teaching-Learning-Based Optimization (TLBO)

TLBO is a method motivated by the teaching-and-learning process based on the inspiration of a teacher on student learning outcomes in a class. The procedure also imitates teachers' and students' education and understanding abilities in the classroom as two essential elements of the method. It also explains the two elementary ways of education, through the instructor step and interacting with other students (student phase) (Rao et al., 2011; Rao & Patel, 2013).

3.1.3.1 Human psychology optimization (HPO)

The HPO algorithm is based on a pretentious and goal-oriented person's mental and psychological condition. This category of persons is very strategic and able to create some positive energy out of the worst situation on a psychological level (Kumar et al., 2017a).

3.1.4 Human behaviors in the literature

3.1.4.1 Harmony search algorithm (HSA)

The HSA is one of the newest metaheuristic population search algorithms that depend mainly on the musical process for a pleasing harmony. The musicians are the decision variables of the function to be optimized, and their notes represent values. The harmony is considered the optimal solution vector, and unlike the gradient optimization techniques, the HSA is a stochastic search free from a derivative algorithm. Furthermore, it has a simple mathematical model and is easier to implement in engineering problems than other metaheuristic techniques (Ambia et al., 2015).

3.1.4.1 Tabu search algorithm (TSA)

TSA is a global optimization algorithm and a simulation of human intelligence. It avoids circuitry search by introducing a flexible

storage structure and relevant tabu rule. Furthermore, it releases some tabooed superior states to assure diversification.

3.1.4.2 Group search optimization (GSO)

GSO is a method motivated by foraging (animal searching) behavior. Research carried out by He et al., (2009) proposed GSO primarily for continuous optimization problems.

3.1.4.3 Imperialist competitive algorithm (ICA)

The algorithm is inspired by the concept of the imperialism competition process. It starts by dividing the initial population of countries into two groups. The first is called imperialist, which has the best fitness function values, while the second is known as colonies. According to studies, the colonies in the initial population share the imperialists according to their powers. Furthermore, they also change cultures based on their imperialism, which is stimulated by the process of moving colonies toward their imperialist country, known as assimilation. In this process, the colony with considerable power replaces the imperialist and vice versa. During the imperialistic competition, the most and less powerful empires try to increase and crumble their powers, respectively. At the end of the ICA algorithm, the solution is concentrated in the most powerful empire (Fathy & Rezk, 2017).

3.1.4.4 League championship algorithm (LGA)

This algorithm is stimulated by the struggle of sports squads in an artificial competition league for some weeks and over several seasons. The approach has been used in the Algerian power system network for some objectives. In LCA, the individuals considered as teams strive in an artificial league for some weeks and seasons (Boucekara et al., 2014).

3.1.4.5 Social-based algorithm

This technique begins by producing a collection of unexpected nominee results in the examination area of the optimization issue. The delivered arbitrary points are anointed the initial population, including persons who serve as the equivalent of chromosomes in GA and particles in PSO, i.e., a collection of nominee solutions. Classes of individuals construct a society and are contained in its growth (Ramezani & Lotfi, 2012).

3.1.4.6 Exchange market algorithm

This algorithm is inspired by human intelligence and the experience of elite individuals in the stock market. It comprises two absorbent operators, which absorb the individuals toward elite members of the second and third groups in balanced market conditions, and two searching operators in the second and third groups in oscillated market conditions.

3.1.4.7 Group counseling optimization (GCO)

The GCO is a search algorithm inspired by the group counseling approach to solving problems. The algorithm requires some parameters to be set, namely the number of group members representing the population size (m), group members number applied as counselors (c), counseling probability (cp), the maximum value of modification (mdf_max), and rate of exploration to exploitation transition (tr). The significance of these variables becomes apparent in future studies.

3.1.4.8 Evolutionary algorithms

It is a population-based metaheuristic optimization method. This approach employs biologically inspired means such as transformation, crossover, natural choosing, and the existence of the fittest to iterate over a series of candidate solutions. It comprises

many EAs, and all share the same idea based on the existence of the fittest, which leads to a rise in population fitness in different generations. Some of the better nominees are selected and pit for the next generation by utilizing recombination and mutation based on the fitness function. Furthermore, this operator's implementation oversees a new set of nominees.

3.2 Analytic comparison of different MPPT algorithms

This paper reviews and compares various MPPT metaheuristic algorithms from PV systems. It was thoroughly evaluated and used to compare several MPPT strategies, such as complexity, type of conversion, sensors utilized, level of steady-state oscillation, the ability to track under PSC, cost, and application. **Table 1** summarizes the comparison of the MPPT algorithms. The algorithm's complexity is used to determine the algorithm with the MPPT method based on complexity. Indirect comparisons are based on the number of steps comprised, the amount of computation, and the complexity that develops in the structure. The converter type is used in the MPPT system for conversion. Furthermore, parameter control is used to measure the parameters used. An oscillation Sensor is a change under steady-state conditions. Meanwhile, tracking capability under PSC is used to measure the speed of the tracking algorithm in achieving maximum power.

Table 1. Classification of MPPT algorithm.

Classification	Algorithms	Complexity	Converter Type	Control Parameter	Sensor	Oscillation	Tracking Ability under PSC	Cost	Application
Conventional	Perturb & Observe (Otong & Bajuri, 2016)	low	buck-boost	-	I, V	high	very low	very high	SA/GA
	Hill Climbing (Hu et al., 2019)	low	buck-boost	-	I, V	very high	very low	very high	SA/GA
	Incremental Conductance (Li et al., 2018) (Tey et al., 2014)	moderate	buck-boost	duty cycle	I, V	high	very low	very high	SA/GA
Physics-based algorithms	Gravitational search algorithm (Pervez et al., 2019)	moderate	boost	-	I, V	low	high	high	GA
	Fireworks algorithm (Rajsekar et al., 2016)	moderate	boost	-	I, V	low	moderate	moderate	SA
	Mine blast algorithm (Sadollah et al., 2012)	moderate	boost	-	I, V	low	high	moderate	SA
	Wind-driven optimization (Abdalla et al., 2019)	high	boost	duty cycle	I, V, P	high	moderate	high	SA
	Big-Bang Big-Crunch (Ahmadi & Abdi, 2016)	moderate	buck	current	I, V	low	high	high	SA
	Black Hole (Hatamlou, 2013)	moderate	buck	-	I, V	low	high	high	GA
	Ray Optimization (Kaveh & Khayatizad, 2012)	moderate	boost	-	I, V	low	low	high	GA
	Small-World Optimization Algorithm (Du et al., 2006)	low	boost	-	I, V	low	high	high	GA
	Galaxy-based Search Algorithm (Kumar et al., 2016b)	moderate	boost	-	I, V	low	low	high	GA
	Curved Space Optimization	moderate	buck	current	I, V	low	high	high	GA
Sociology-based algorithms	Teaching-learning-based optimization (Rezk & Fathy, 2017)	low	boost	duty cycle	I, V	low	high	high	GA
	Human psychology optimization (Kumar et al., 2017a)	low	boost	duty cycle	I	low	high	high	GA

Table 1 (Continue). Classification of MPPT algorithm.

Classification	Algorithms	Complexity	Converter Type	Control Parameter	Sensor	Oscillation	Tracking Ability under PSC	Cost	Application
Meta-heuristic Biology-based algorithm	Genetic Algorithm (Shaiek et al., 2013)(Savage et al., 2013)		buck-boost	-	I, V	high	moderate	high	SA
	Differential evolution (Tey et al., 2018)	moderate	sepic	duty cycle	I, V, P	moderate	high	high	SA
	Artificial bee colony (Pilakkat & Kanthalakshmi, 2019)(Benyoucef et al., 2015)	high	boost	duty cycle	I, V, P	moderate	high	moderate	SA
	Ant Colony Optimization (Lian et al., 2013)	low	boost	duty cycle	I, V	moderate	moderate	moderate	SA
	Grey wolf optimization (Mohanty et al., 2015) (Mohapatra et al., 2017)	high	boost	duty cycle	I, V, P	very low	very high	high	SA
	Bat search algorithm (Kaced et al., 2017)	high	buck-boost	duty cycle	I, V	low	high	high	SA
	Butterfly optimization algorithm (Aygül et al., 2019)	low	boost	duty cycle	I, V	low	high	moderate	SA
	Moth-flame optimization (Bouakkaz et al., 2020)	moderate	boost	-	I, V	low	moderate	moderate	GA
	Whale optimization algorithm (Krishnan & Sathiyasekar, 2020) (Premkumar & Sowmya, 2019)	high	boost	duty cycle	I,V,P	low	high	high	GA
	Firefly Algorithm (Teshome et al., 2016) (Huang et al., 2020)	moderate	boost	-	I, V	low	high	high	SA
	Salp Swarm Algorithm (Mirza et al., 2020)	moderate	boost	duty cycle	I, V	low	high	high	SA
	Shuffled frog leap algorithm (Sridhar et al., 2016)	high	boost	-	I, V	low	moderate	high	SA
	Artificial fish swarm algorithm (Mao et al., 2018)	high	boost	-	I, V	low	high	high	SA
	Chicken swarm optimization (Meng et al., 2014)	moderate	boost	-	I, V	low	moderate	high	SA
	Flower pollination algorithm (Yousri et al., 2019)	high	boost	duty cycle	I, V	low	moderate	high	GA
	Monkey king evolution (Kumar et al., 2016a)	moderate	boost	-	I, V	low	high	moderate	GA
	Cat swarm optimization (Nie et al., 2017)	high	boost	-	I, V	very low	high	high	GA
	Cuckoo search (Ahmed & Salam, 2014)(Mirza et al., 2019)	moderate	buck-boost	duty cycle	I, V	low	moderate	moderate	GA

4. CONCLUSION

The main problems of the MPPT conventional methods are poor power harvesting and low efficiency due to several local maximum appearances and difficulty determining the global maximum tracking. The standard MPPT algorithms for partial shading conditions are (i) conventional, (ii) mathematics-based, (iii) artificial intelligence, and (iv) metaheuristic algorithms. This research presented a comprehensive review of 40 MPPT algorithms for partial shading conditions, mainly metaheuristics. In addition to the basic principles and specifications, the performance comparison of the 40 metaheuristic algorithms in terms of complexity level, converter type, sensor requirement, steady-state oscillation, tracking capability, cost, and grid connection has been explained fairly thoroughly in this research. Swarm-based biology algorithms provide fast convergence and accurate tracking in partial shading conditions. Therefore, based on the analyzed parameters, it is concluded that a swarm-based metaheuristic algorithm can be used

as an algorithm to handle the partial shading problem in MPPT. The strategy, especially swarm, offers a suitable algorithm structure for various optimization problems with only minor modifications to suit the given problem. In general, we can choose the most appropriate solutions matching the necessities of the system's application and specifications. This result can be a valuable reference for advanced works in related fields.

5. ACKNOWLEDGMENT

This work is funded by the Ministry of Education, Culture, Research and Technology of Republic Indonesia under Word Class Research (WCR) grant, contract No: WCR-001/SKPP.ATJ/LPPM UAD/IV/2020, and supported by the Embedded Systems and Power Electronic Research Group (ESPERG).

6. AUTHORS' NOTE

The authors declare that there is no conflict of interest regarding the publication of this article. The authors confirmed that the paper was free of plagiarism.

7. REFERENCES

- Abdalla, O., Rezk, H., and Ahmed, E. M. (2019). Wind driven optimization algorithm based global MPPT for PV system under non-uniform solar irradiance. *Solar Energy*, 180, 429–444.
- Abed-alguni, B. H., and Alkhateeb, F. (2020). Intelligent hybrid cuckoo search and β -hill climbing algorithm. *Journal of King Saud University - Computer and Information Sciences*, 32(2), 159–173.
- Ahmad, F., Qurban, N., Fatima, Z., Ahmad, T., Zahid, I., Ali, A., Rajpoot, S. R., Tasleem, M. W., and Maqbool, E. (2022). Electrical characterization of ii-vi thin films for solar cells application. *ASEAN Journal of Science and Engineering*, 2(3), 199–208.
- Ahmadi, S., and Abdi, S. (2016). Application of the hybrid big bang–big crunch algorithm for optimal sizing of a stand-alone hybrid pv/wind/battery system. *Solar Energy*, 134, 366–374.
- Ahmed, J., and Salam, Z. (2014). A maximum power point tracking (MPPT) for PV system using Cuckoo Search with partial shading capability. *Applied Energy*, 119, 118–130.

- Alik, R., and Jusoh, A. (2018). An enhanced PandO checking algorithm MPPT for high tracking efficiency of partially shaded PV module. *Solar Energy*, 163, 570–580.
- Ambia, M. N., Hasanien, H. M., Al-Durra, A., and Muyeen, S. M. (2015). Harmony search algorithm-based controller parameters optimization for a distributed-generation system. *IEEE Transactions on Power Delivery*, 30(1), 246–255.
- Arora, S., and Singh, S. (2019). Butterfly optimization algorithm: A novel approach for global optimization. *Soft Computing*, 23(3), 715–734.
- Aygül, K., Cikan, M., Demirdelen, T., and Tumay, M. (2019). Butterfly optimization algorithm based maximum power point tracking of photovoltaic systems under partial shading condition. *Energy Sources, Part A: Recovery, Utilization and Environmental Effects*, 2019, 1–19.
- Aziz, M. (2019). Advanced green technologies toward future sustainable energy systems. *Indonesian Journal of Science and Technology*, 4(1), 89–96.
- Bandyopadhyay, S., Saha, S., Maulik, U., and Deb, K. (2008). A simulated annealing-based multiobjective optimization algorithm: AMOSA. *IEEE Transactions on Evolutionary Computation*, 12(3), 269–283.
- Bayrak, F., Ertürk, G., and Oztop, H. F. (2017). Effects of partial shading on energy and exergy efficiencies for photovoltaic panels. *Journal of Cleaner Production*, 164, 58–69.
- Benyoucef, A. soufyane, Chouder, A., Kara, K., Silvestre, S., and Sahed, O. A. (2015). Artificial bee colony based algorithm for maximum power point tracking (MPPT) for PV systems operating under partial shaded conditions. *Applied Soft Computing Journal*, 32, 38–48.
- Bialasiewicz, J. T. (2008). Renewable energy systems with photovoltaic power generators: Operation and modeling. *IEEE Transactions on Industrial Electronics*, 55(7), 2752–2758.
- Bouakkaz, M. S., Boukadoum, A., Boudebbouz, O., Fergani, N., Boutasseta, N., Attoui, I., Bouraiou, A., and Necaibia, A. (2020). Dynamic performance evaluation and improvement of PV energy generation systems using Moth Flame Optimization with combined fractional order PID and sliding mode controller. *Solar Energy*, 199(February), 411–424.
- Bouhekara, H. R. E. H., Abido, M. A., Chaib, A. E., and Mehasni, R. (2014). Optimal power flow using the league championship algorithm : A case study of the Algerian power system. *Energy Conversion and Management*, 87, 58–70.
- Boussaïd, I., Lepagnot, J., and Siarry, P. (2013). A survey on optimization metaheuristics. *Information Sciences*, 237(February), 82–117.
- Burke, E. K., and Bykov, Y. (2017). The late acceptance Hill-Climbing heuristic. *European Journal of Operational Research*, 258(1), 70–78.
- Caraka, R. E., Chen, R. C., Yasin, H., Suhartono, Lee, Y., and Pardamean, B. (2021). Hybrid vector autoregression feedforward neural network with genetic algorithm model for forecasting space-time pollution data. *Indonesian Journal of Science and Technology*, 6(1), 243–268.

- Chen, X., Xu, B., Mei, C., Ding, Y., and Li, K. (2018). Teaching–learning–based artificial bee colony for solar photovoltaic parameter estimation. *Applied Energy*, 212, 1578–1588.
- Choi, K., Jang, D.-H., Kang, S.-I., Lee, J.-H., Chung, T.-K., and Kim, H.-S. (2015). Hybrid algorithm combining genetic algorithm with evolution strategy for antenna design. *IEEE Transactions on Magnetics*, 52(3), 1–4.
- da Rocha, M. V., Sampaio, L. P., and da Silva, S. A. O. (2020). Comparative analysis of MPPT algorithms based on Bat algorithm for PV systems under partial shading condition. *Sustainable Energy Technologies and Assessments*, 40(January), 100761.
- Dorigo, M., and Birattari, M. (2006). Ant Colony Optimization. *IEEE Computational Intelligence Magazine*, 1(4): 27–39.
- Du, H., Wu, X., and Zhuang, J. (2006). Small-world optimization algorithm for function optimization. *International Conference on Natural Computation*, 4222, 264–273.
- Dutta, S., Roy, P. K., and Nandi, D. (2015). Optimal location of UPFC controller in transmission network using hybrid chemical reaction optimization algorithm. *International Journal of Electrical Power and Energy Systems*, 64, 194–211.
- Elshaer, R., and Awad, H. (2020). A taxonomic review of metaheuristic algorithms for solving the vehicle routing problem and its variants. *Computers and Industrial Engineering*, 140(December 2019), 106242.
- Erol, O. K., and Eksin, I. (2006). A new optimization method: big bang–big crunch. *Advances in Engineering Software*, 37(2), 106–111.
- Farahmandian, M., and Hatamlou, A. (2015). Solving optimization problems using black hole algorithm. *Journal of Advanced Computer Science and Technology*, 4(1), 68.
- Farrahi-Moghaddam, F., Nezamabadi-pour, H., and Farsangi, M. M. (2007). Curved space optimization for allocation of SVC in a large power system. *World*, 1, 9.
- Fathy, A., and Rezk, H. (2017). Parameter estimation of photovoltaic system using imperialist competitive algorithm. *Renewable Energy*, 111, 307–320.
- Guo, L., Meng, Z., Sun, Y., and Wang, L. (2018). A modified cat swarm optimization based maximum power point tracking method for photovoltaic system under partially shaded condition. *Energy*, 144, 501–514.
- Haji, D., and Genc, N. (2018). Fuzzy and PO Based MPPT Controllers under Different Conditions. *7th International IEEE Conference on Renewable Energy Research and Applications, ICRERA 2018*, 5, 649–655.
- Hatamlou, A. (2013). Black hole : A new heuristic optimization approach for data clustering. *Information Sciences*, 222, 175–184.
- He, S., Wu, Q. H., and Saunders, J. R. (2009). Group search optimizer: An optimization algorithm inspired by animal searching behavior. *IEEE Transactions on Evolutionary Computation*, 13(5), 973–990.
- Hemalatha, C., Rajkumar, M. V., and Krishnan, G. V. (2016). Simulation and Analysis for MPPT Control with Modified firefly algorithm for photovoltaic system. *International Journal of Innovative Studies in Sciences and Engineering Technology*, 2(11), 48–52.

- Hu, L., Xue, F., Qin, Z., Shi, J., Qiao, W., Yang, W., and Yang, T. (2019). Sliding mode extremum seeking control based on improved invasive weed optimization for MPPT in wind energy conversion system. *Applied Energy*, 248(January), 567–575.
- Huang, Y. P., Huang, M. Y., and Ye, C. E. (2020). A fusion firefly algorithm with simplified propagation for photovoltaic MPPT under partial shading conditions. *IEEE Transactions on Sustainable Energy*, 11(4), 2641-2652.
- Irawan, a. K., Rusdiana, D., Setiawan, W., Purnama, W., Fauzi, R. M., Fauzi, S. a., Alfani, a. H. F., and Ardiyogo, M. R. (2021). Design-construction of a solar cell energy water pump as a clean water source for people in sirnajaya village, gununghalu district. *ASEAN Journal of Science and Engineering Education*, 1(1), 15–20.
- Ishaque, K., and Salam, Z. (2013). A review of maximum power point tracking techniques of PV system for uniform insolation and partial shading condition. *Renewable and Sustainable Energy Reviews*, 19, 475–488.
- Ituarte-Villarreal, C. M., Lopez, N., and Espiritu, J. F. (2012). Using the monkey algorithm for hybrid power systems optimization. *Procedia Computer Science*, 12, 344–349.
- Javed, M. Y., Murtaza, A. F., Ling, Q., Qamar, S., and Gulzar, M. M. (2016). A novel MPPT design using generalized pattern search for partial shading. *Energy and Buildings*, 133, 59-69.
- Ji, J., Gao, S., Wang, S., Tang, Y., Yu, H., and Todo, Y. (2017). Self-adaptive gravitational search algorithm with a modified chaotic local search. *IEEE Access*, 5, 17881–17895.
- Kaced, K., Larbes, C., Ramzan, N., Bounabi, M., and Dahmane, Z. elabadine. (2017). Bat algorithm based maximum power point tracking for photovoltaic system under partial shading conditions. *Solar Energy*, 158(July), 490–503.
- Kandemir, E., Cetin, N. S., and Borekci, S. (2017). A comprehensive overview of maximum power extraction methods for PV systems. *Renewable and Sustainable Energy Reviews*, 78(March 2016), 93–112.
- Kang, T., Yao, J., Jin, M., Yang, S., and Duong, T. (2018). A novel improved cuckoo search algorithm for parameter estimation of photovoltaic (PV) models. *Energies*, 11(5), 1060.
- Karaboga, D., and Basturk, B. (2007). A powerful and efficient algorithm for numerical function optimization: artificial bee colony (ABC) algorithm. *Journal of Global Optimization*, 39(3), 459–471.
- Kaveh, A., and Khayatizad, M. (2012). A new meta-heuristic method: ray optimization. *Computers and Structures*, 112, 283–294.
- Kaveh, A., and Talatahari, S. (2010). A novel heuristic optimization method: charged system search. *Acta mechanica*, 213(3), 267-289.
- Keyrouz, F. (2018). Enhanced bayesian based mppt controller for pv systems. *IEEE Power and Energy Technology Systems Journal*, 5(1), 11–17.
- Krishnan, S., and Sathiyasekar, K. (2020). A Novel salp swarm optimization mpp tracking algorithm for the solar photovoltaic systems under partial shading conditions. *Journal of Circuits, Systems and Computers*, 29(1), 2050017.

- Kumar, B. S., Suryakalavathi, M., and Kumar, G. V. N. (2016b). Optimal power flow with static var compensator using galaxy based search algorithm to minimize real power losses. *Procedia - Procedia Computer Science*, 92, 42–47.
- Kumar, C. H., and Rao, R. S. (2016). A novel global MPP tracking of photovoltaic system based on whale optimization algorithm. *International Journal of Renewable Energy Development*, 5(3), 225-232.
- Kumar, N., Hussain, I., Singh, B., and Ketan, B. (2016a). Maximum power peak detection of partially shaded pv panel by using intelligent monkey king evolution algorithm, 1–6.
- Kumar, N., Hussain, I., Singh, B., and Panigrahi, B. K. (2017a). Maximum power peak detection of partially shaded PV panel by using intelligent monkey king evolution algorithm. *IEEE Transactions on industry applications*, 53(6), 5734-5743.
- Li, C., and Zhou, J. (2011). Parameters identification of hydraulic turbine governing system using improved gravitational search algorithm. *Energy Conversion and Management*, 52(1), 374–381.
- Li, L., Lin, G., Tseng, M., Tan, K., and Lim, M. K. (2018). A maximum power point tracking method for PV system with improved gravitational search algorithm. *Applied Soft Computing Journal*, 65, 333–348.
- Li, X., Wen, H., Chu, G., Hu, Y., and Jiang, L. (2018). A novel power-increment based GMPPT algorithm for PV arrays under partial shading conditions. *Solar Energy*, 169(December 2017), 353–361.
- Lian, L., Maskell, D. L., and Patra, J. C. (2013). A novel ant colony optimization-based maximum power point tracking for photovoltaic systems under partially shaded conditions. *Energy and Buildings*, 58, 227–236.
- Mao, M., Duan, Q., Duan, P., and Hu, B. (2018). Comprehensive improvement of artificial fish swarm algorithm for global MPPT in PV system under partial shading conditions. *Transactions of the Institute of Measurement and Control*, 40(7), 2178–2199.
- Meng, X., Liu, Y., Gao, X., and Zhang, H. (2014). A new bio-inspired algorithm : Chicken swarm optimization, *International Conference in Swarm Intelligence*, 8794, 86–94.
- Mirjalili, S., and Lewis, A. (2016). Advances in Engineering software the whale optimization algorithm. *Advances in Engineering Software*, 95, 51–67.
- Mirjalili, S., Mirjalili, S. M., and Lewis, A. (2014). Grey wolf optimizer. *Advances in Engineering Software*, 69, 46–61.
- Mirza, A. F., Ling, Q., Javed, M. Y., and Mansoor, M. (2019). Novel MPPT techniques for photovoltaic systems under uniform irradiance and Partial shading. *Solar Energy*, 184(January), 628–648.
- Mirza, A. F., Mansoor, M., Ling, Q., Yin, B., and Javed, M. Y. (2020). A Salp-Swarm Optimization based MPPT technique for harvesting maximum energy from PV systems under partial shading conditions. *Energy Conversion and Management*, 209(February), 112625.
- Mohanty, S., Subudhi, B., Member, S., and Ray, P. K. (2015). A new mppt design using grey wolf optimization technique for photovoltaic system under partial shading conditions. *IEEE Transactions on Sustainable Energy*, 7(1), 1–8.

- Mohapatra, A., Nayak, B., Das, P., and Mohanty, K. B. (2017). A review on MPPT techniques of PV system under partial shading condition. *Renewable and Sustainable Energy Reviews*, 80(June), 854–867.
- Nie, X., Wang, W., and Nie, H. (2017). Chaos quantum-behaved cat swarm optimization algorithm and its application in the pv mppt. *Computational Intelligence and Neuroscience*, 2017(Article ID 1583847), 1–11.
- Otong, M., and Bajuri, R. M. (2016). Maximum power point tracking (mppt) pada sistem pembangkit listrik tenaga angin menggunakan buck-boost converter. *Setrum*, 5(2), 103–110.
- Pati, A. K., and Sahoo, N. C. (2016). A new approach in maximum power point tracking for a photovoltaic array with power management system using Fibonacci search algorithm under partial shading conditions. *Energy Systems*, 7(1), 145-172.
- Perdiansyah, F., Fitriana, E. T. N., Aziema, N., Maharani, P. P., Khoerunnisa, F., and Winarno, N. (2021). The efficient implementation of hybrid power plants in Indonesia. *Indonesian Journal of Multidisciplinary Research*, 1(1), 151–158.
- Pervez, I., Sarwar, A., Tayyab, M., and Sarfraz, M. (2019). Gravitational search algorithm (gsa) based maximum power point tracking in a solar pv based generation system. *2019 Innovations in Power and Advanced Computing Technologies, I-PACT 2019*, 1–6.
- Pilakkat, D., and Kanthalakshmi, S. (2019). An improved PandO algorithm integrated with artificial bee colony for photovoltaic systems under partial shading conditions. *Solar Energy*, 178(March 2018), 37–47.
- Pillai, D. S., and Rajasekar, N. (2018). Metaheuristic algorithms for PV parameter identification: A comprehensive review with an application to threshold setting for fault detection in PV systems. *Renewable and Sustainable Energy Reviews*, 82, 3503–3525.
- Premkumar, M., and Sowmya, R. (2019). An effective maximum power point tracker for partially shaded solar photovoltaic systems. *Energy Reports*, 5, 1445–1462.
- Punitha, K., Devaraj, D., and Sakthivel, S. (2013). Artificial neural network based modified incremental conductance algorithm for maximum power point tracking in photovoltaic system under partial shading conditions. *Energy*, 62, 330–340.
- Qian, T. (2018). A converter combination scheme for efficiency improvement of pv systems. *IEEE Transactions on Circuits and Systems II: Express Briefs*, 65(11), 1668–1672.
- Rajsekar, N., Verma, M., and Tech, M. (2016). Fireworks algorithm for mppt. *International Journal of Engineering Research and Technology*, 5(01), 287–291.
- Ram, J. P., Babu, T. S., and Rajasekar, N. (2017). A comprehensive review on solar PV maximum power point tracking techniques A comprehensive review on solar PV maximum power point tracking techniques. *Renewable and Sustainable Energy Reviews*, 67(January), 826–847.
- Ramaprabha, R., Balaji, M., and Mathur, B. L. (2012). Electrical Power and Energy Systems Maximum power point tracking of partially shaded solar PV system using modified

- Fibonacci search method with fuzzy controller. *International Journal of Electrical Power and Energy Systems*, 43(1), 754–765.
- Ramezani, F., and Lotfi, S. (2013). Social-based algorithm (SBA). *Applied Soft Computing Journal*. 13(5), 2837-2856,
- Rao, R. V, Savsani, V. J., and Vakharia, D. P. (2011). Computer-aided design teaching – learning-based optimization : A novel method for constrained mechanical design optimization problems. *Computer-Aided Design*, 43(3), 303–315.
- Rao, R. V. (2016). Jaya: A simple and new optimization algorithm for solving constrained and unconstrained optimization problems. *International Journal of Industrial Engineering Computations*, 7, 19–34.
- Rao, R. V., and Patel, V. (2013). Multi-objective optimization of heat exchangers using a modified teaching-learning-based optimization algorithm. *Applied Mathematical Modelling*, 37(3), 1147–1162.
- Rashedi, E., Nezamabadi-Pour, H., and Saryazdi, S. (2009). GSA: a gravitational search algorithm. *Information Sciences*, 179(13), 2232–2248.
- Rezk, H., and Fathy, A. (2017). Simulation of global MPPT based on teaching–learning-based optimization technique for partially shaded PV system. *Electrical Engineering*, 99(3), 847–859.
- Rezk, H., Fathy, A., and Abdelaziz, A. Y. (2017). A comparison of different global MPPT techniques based on meta-heuristic algorithms for photovoltaic system subjected to partial shading conditions. *Renewable and Sustainable Energy Reviews*, 74(February), 377–386.
- Sabri, N. M., Puteh, M., and Mahmood, M. R. (2013). A review of gravitational search algorithm. *International Journal of Engineering Research and Technology*, 5(3), 1–39.
- Sadollah, A., Bahreininejad, A., Eskandar, H., and Hamdi, M. (2013). Mine blast algorithm: A new population based algorithm for solving constrained engineering optimization problems. *Applied Soft Computing*, 13(5), 2592-2612.
- Safarudin, Y. M., Priyadi, A., Purnomo, M. H., and Pujiantara, M. (2015). Maximum power point tracking algorithm for photovoltaic system under partial shaded condition by means updating ?? firefly technique. Proceedings - 2014 6th International Conference on Information Technology and Electrical Engineering: Leveraging Research and Technology Through University-Industry Collaboration, *ICITEE 2014*, 1, 0–4.
- Sardari, F., and Moghaddam, M. E. (2016). An object tracking method using modified galaxy-based search algorithm. *Swarm and Evolutionary Computation*, 30, 27–38.
- Savage, J., Munoz, S., Matamoros, M., and Osorio, R. (2013). Obstacle avoidance behaviors for mobile robots using genetic algorithms and recurrent neural networks. *IFAC Proceedings Volumes*, 46(24), 141-146.
- Seyedmahmoudian, M., Horan, B., Soon, T. K., Rahmani, R., Than, A. M., Mekhilef, S., and Stojcevski, A. (2016). State of the art artificial intelligence-based MPPT techniques for mitigating partial shading effects on PV systems – A review. *Renewable and Sustainable Energy Reviews*, 64, 435–455.

- Shaiek, Y., Ben Smida, M., Sakly, A., and Mimouni, M. F. (2013). Comparison between conventional methods and GA approach for maximum power point tracking of shaded solar PV generators. *Solar Energy*, *90*, 107–122.
- So, J. H., Jung, Y. S., Yu, B. G., Hwang, H. M., Yu, G. J., and Choi, J. Y. (2007). Performance results and analysis of large scale PV system. Conference Record of the 2006 IEEE 4th World Conference on Photovoltaic Energy Conversion, *WCPEC-4*, *2*, 2375–2378.
- Soulatiantork, P., Cristaldi, L., Faifer, M., Laurano, C., Ottoboni, R., and Toscani, S. (2018). A tool for performance evaluation of MPPT algorithms for photovoltaic systems. *Measurement: Journal of the International Measurement Confederation*, *128*, 537–544.
- Sridhar, R., Jeevananthan, S., Dash, S. S., and Vishnuram, P. (2017). A new maximum power tracking in PV system during partially shaded conditions based on shuffled frog leap algorithm. *Journal of Experimental and Theoretical Artificial Intelligence*, *29*(3), 481-493.
- Teshome, D. F., Lee, C. H., Lin, Y. W., and Lian, K. L. (2016). A modified firefly algorithm for photovoltaic maximum power point tracking control under partial shading. *IEEE Journal of Emerging and Selected Topics in Power Electronics*, *5*(2), 661-671.
- Tey, K. S., and Mekhilef, S. (2014). Modified incremental conductance algorithm for photovoltaic system under partial shading conditions and load variation. *IEEE Transactions on Industrial Electronics*, *61*(10), 5384-5392.
- Tey, K. S., Mekhilef, S., Seyedmahmoudian, M., Horan, B., Oo, A. T., and Stojcevski, A. (2018). Improved differential evolution-based MPPT algorithm using SEPIC for PV systems under partial shading conditions and load variation. *IEEE Transactions on Industrial Informatics*, *14*(10), 4322-4333.
- Tirkolaee, E. B., Goli, A., and Weber, G. W. (2020). Fuzzy mathematical programming and self-adaptive artificial fish swarm algorithm for just-in-time energy-aware flow shop scheduling problem with outsourcing option. *IEEE Transactions on Fuzzy Systems*, *28*(11), 2772-2783.
- Titri, S., Larbes, C., Toumi, K. Y., and Benatchba, K. (2017). A new MPPT controller based on the Ant colony optimization algorithm for Photovoltaic systems under partial shading conditions. *Applied Soft Computing Journal*, *58*, 465–479.
- Tsai, H., and Lin, Y. (2011). Modification of the fish swarm algorithm with particle swarm optimization formulation and communication behavior. *Applied Soft Computing Journal*, *11*(8), 5367–5374.
- Wang, D., Tan, D., and Liu, L. (2018). Particle swarm optimization algorithm: an overview. *Soft Computing*, *22*(2), 387–408.
- Yang, B., Zhu, T., Wang, J., Shu, H., Yu, T., Zhang, X., Yao, W., and Sun, L. (2020). Comprehensive overview of maximum power point tracking algorithms of PV systems under partial shading condition. *Journal of Cleaner Production*, *268*, 121983.
- Yousri, D., Babu, T. S., Allam, D., Ramachandaramurthy, V. K., and Etiba, M. B. (2019). A novel chaotic flower pollination algorithm for global maximum power point tracking for photovoltaic system under partial shading conditions. *IEEE Access*, *7*, 121432-121445.

- Zhang, X., Li, S., He, T., Yang, B., Yu, T., Li, H., Jiang, L., and Sun, L. (2019). Memetic reinforcement learning based maximum power point tracking design for PV systems under partial shading condition. *Energy*, 174, 1079–1090.
- Zhou, L., Chen, Y., Guo, K., and Jia, F. (2011). New approach for MPPT control of photovoltaic system with mutative-scale dual-carrier chaotic search. *IEEE Transactions on Power Electronics*, 26(4), 1038–1048.